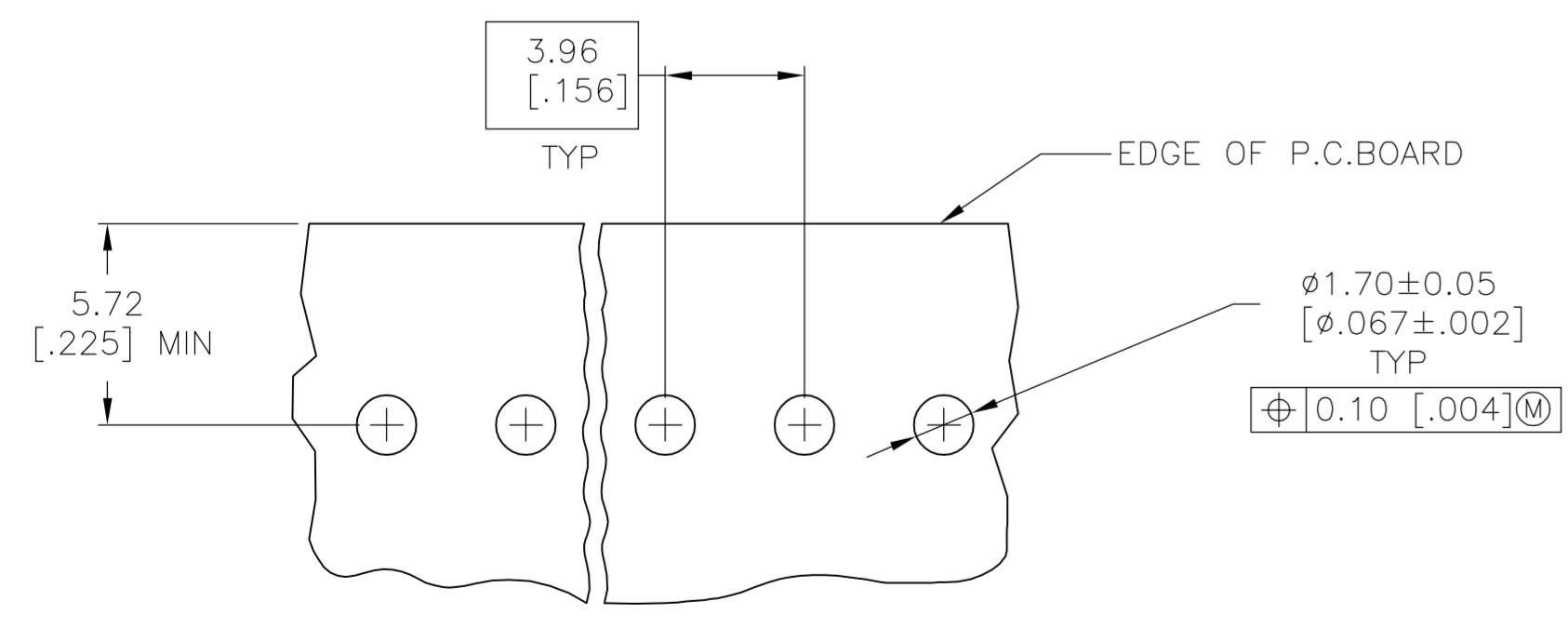
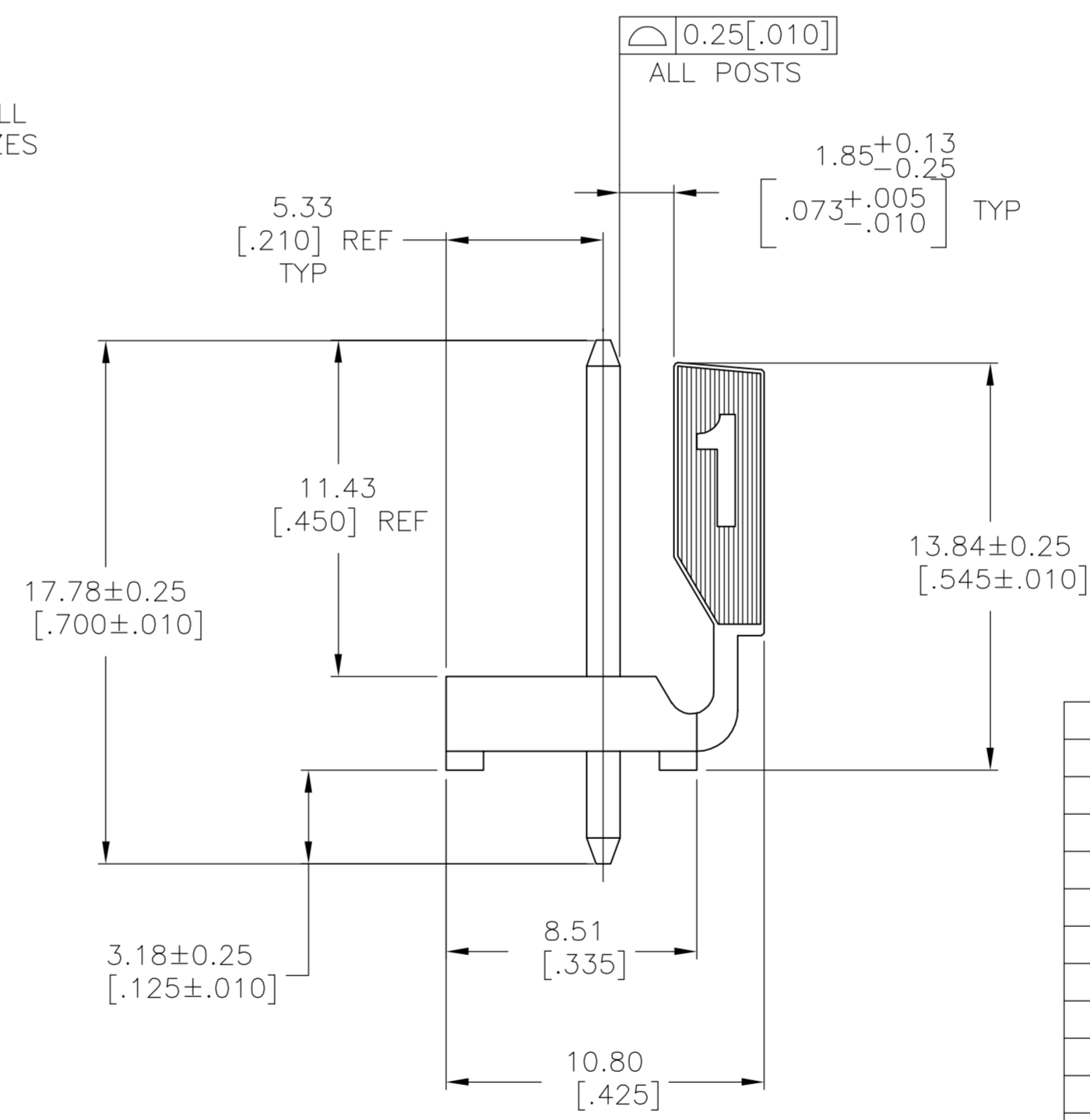
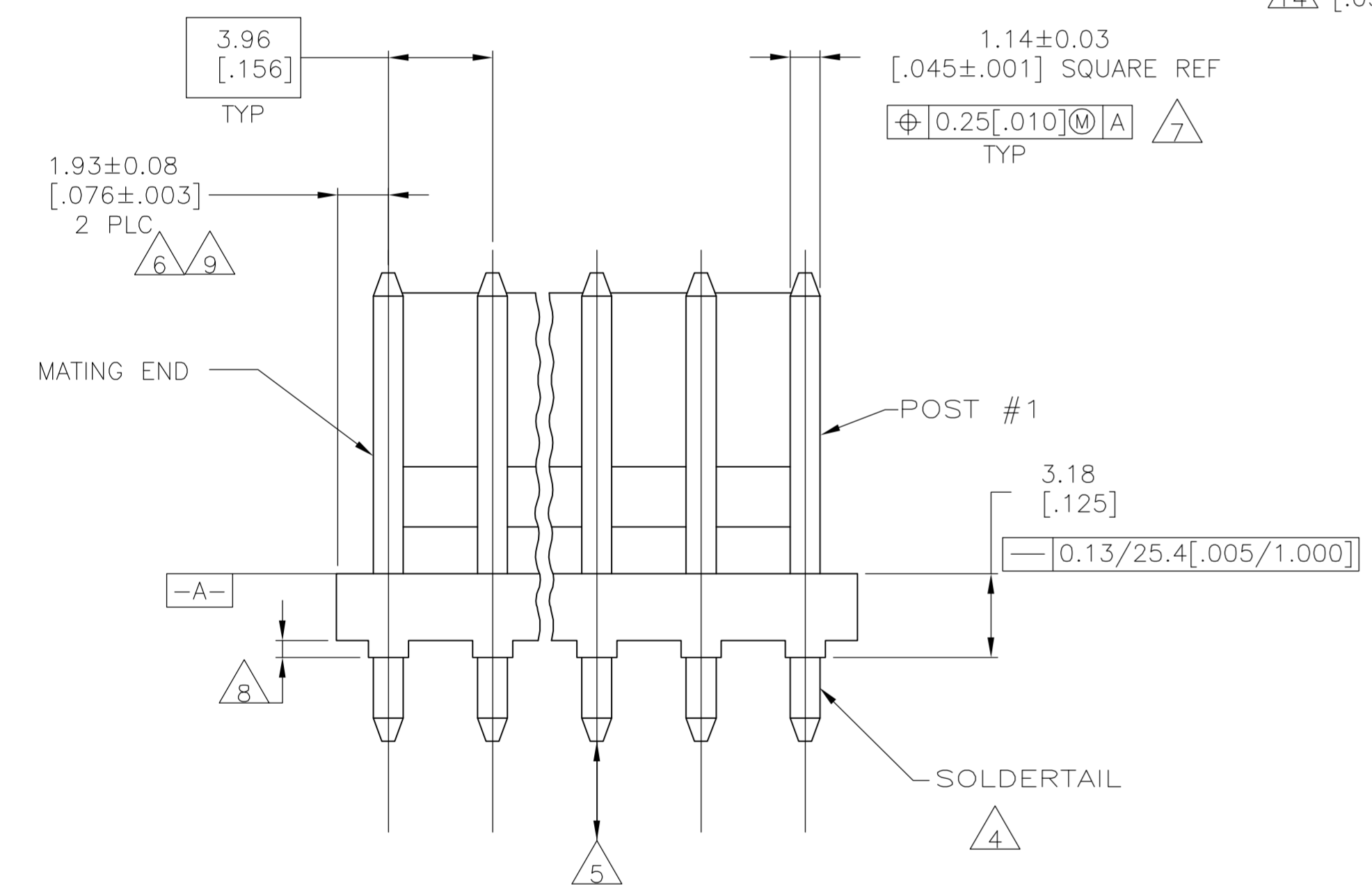
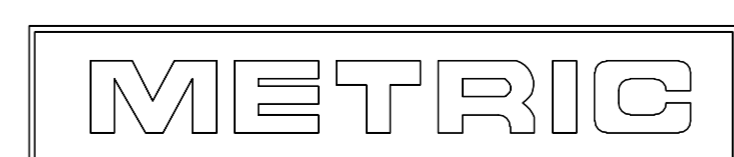


- 1 MATERIAL:
HOUSING: THERMOPLASTIC POLYESTER, GLASS FILLED, DR-48, UL94V-O.
POST: COPPER ALLOY
- 2 FINISH
HOUSING: BLACK
POST: BRIGHT TIN-LEAD (93/7) PLATE, 0.00380-0.00880 [.000150-.000350] THK OVER NICKEL UNDERPLATE, 0.00130 [.000050] MIN THK.
OR MATTE TIN PLATE 0.00380 (.000150) - .00880 (.000350) OVER NICKLE UNDERPLATE 0.00130 (.000050) MIN THICK IF LEAD FREE.
- 3 UL MARKING MAY NOT APPEAR ON THE 3 POSITION SIZE.
- 4 POST SOLDER DETAILS COMPLY WITH AMP SOLDERABILITY SPEC 109-11-2.
- 5 POST WITHSTANDS 13.34N [3 LB] MIN AXIAL FORCE IN EITHER DIRECTION WITHOUT DISLODGING.
- 6 APPLIES AT -A-
- 7 APPLIES WHEN THE HEADER IS STRAIGHT.
- 8 PLASTIC PROJECTIONS PERMITTED IN THIS ZONE.
- 9 COORDINATE DIMENSIONS APPLIES FROM THE CENTER OF THE ACTUAL FEATURE.
- 10 SOLDER SIDE OF BOARD IS SHOWN.
- 11. DIMENSIONS IN BRACKETS ARE IN INCHES.
- 12 ALL POSITION SIZES HAVE THE BACKWALL NOTCHED ON BOTH ENDS AS SHOWN. THE 2 THRU 5 POSITION SIZES HAVE SOLID BACKWALLS. POSITION SIZES 6 AND ABOVE HAVE AN INTERRUPTED BACKWALL AT VARIOUS LOCATIONS (SEE TABLE FOR INTERRUPTION(S) LOCATIONS).
- 13 EDGE OF POLARIZING LOCK WALL TO BE IN LINE WITH CENTERLINE OF ADJACENT POST WITHIN ±0.13 [.005].
- 14 NOTCH SHOWN MAY OR MAY NOT APPEAR.



RECOMMENDED MOUNTING HOLE PATTERN FOR 1.57 [.062] THICK P.C. BOARD

| FINISH | BACKWALL INTERRUPTION(S) BETWEEN POST | L | NO. OF POSITIONS | PART NO |
|----------|---------------------------------------|---------------|------------------|------------|
| TIN | 3&4, 7&8 | 39.50 [1.555] | 10 | 4-644867-0 |
| TIN | 3&4, 6&7 | 35.53 [1.399] | 9 | 3-644867-9 |
| TIN | 4&5 | 31.57 [1.243] | 8 | 3-644867-8 |
| TIN | 4&5 | 27.61 [1.087] | 7 | 3-644867-7 |
| TIN | 3&4 | 23.65 [.931] | 6 | 3-644867-6 |
| TIN | NONE | 19.69 [.775] | 5 | 3-644867-5 |
| TIN | NONE | 15.72 [.619] | 4 | 3-644867-4 |
| TIN | NONE | 11.76 [.463] | 3 | 3-644867-3 |
| TIN-LEAD | 3&4, 7&8 | 39.50 [1.555] | 10 | 1-644867-0 |
| TIN-LEAD | 3&4, 6&7 | 35.53 [1.399] | 9 | 644867-9 |
| TIN-LEAD | 4&5 | 31.57 [1.243] | 8 | 644867-8 |
| TIN-LEAD | 4&5 | 27.61 [1.087] | 7 | 644867-7 |
| TIN-LEAD | 3&4 | 23.65 [.931] | 6 | 644867-6 |
| TIN-LEAD | NONE | 19.69 [.775] | 5 | 644867-5 |
| TIN-LEAD | NONE | 15.72 [.619] | 4 | 644867-4 |
| TIN-LEAD | NONE | 11.76 [.463] | 3 | 644867-3 |



THIS DRAWING IS A CONTROLLED DOCUMENT.

| | | | |
|--|---------|------------------|--|
| DIN B LEWIS | 21OCT96 | | Tyco Electronics Corporation Harrisburg, PA 17105-3608 |
| CHK R SWING | 21OCT96 | | |
| APVD D CLARK | 07NOV96 | NAME | MTA-156 HEADER ASSEMBLY, POLARIZED LOCK, STRAIGHT, .045 SQUARE POST, TIN OR TIN-LEAD PLATED, WITHOUT RETENTION PEGS, SPECIAL |
| DIMENSIONS: mm [INCHES] | | APPLICATION SPEC | RESTRICTED TO |
| TOLERANCES UNLESS OTHERWISE SPECIFIED: 0 PLC ± - 1 PLC ± - 2 PLC ± 0.13 [.005] 3 PLC ± - 4 PLC ± - ANGLES ± 1° | | SIZE | SCALE 5:1 |
| MATERIAL 1 | | WEIGHT | SHEET 1 OF 1 |
| FINISH 2 | | CUSTOMER DRAWING | REV H |